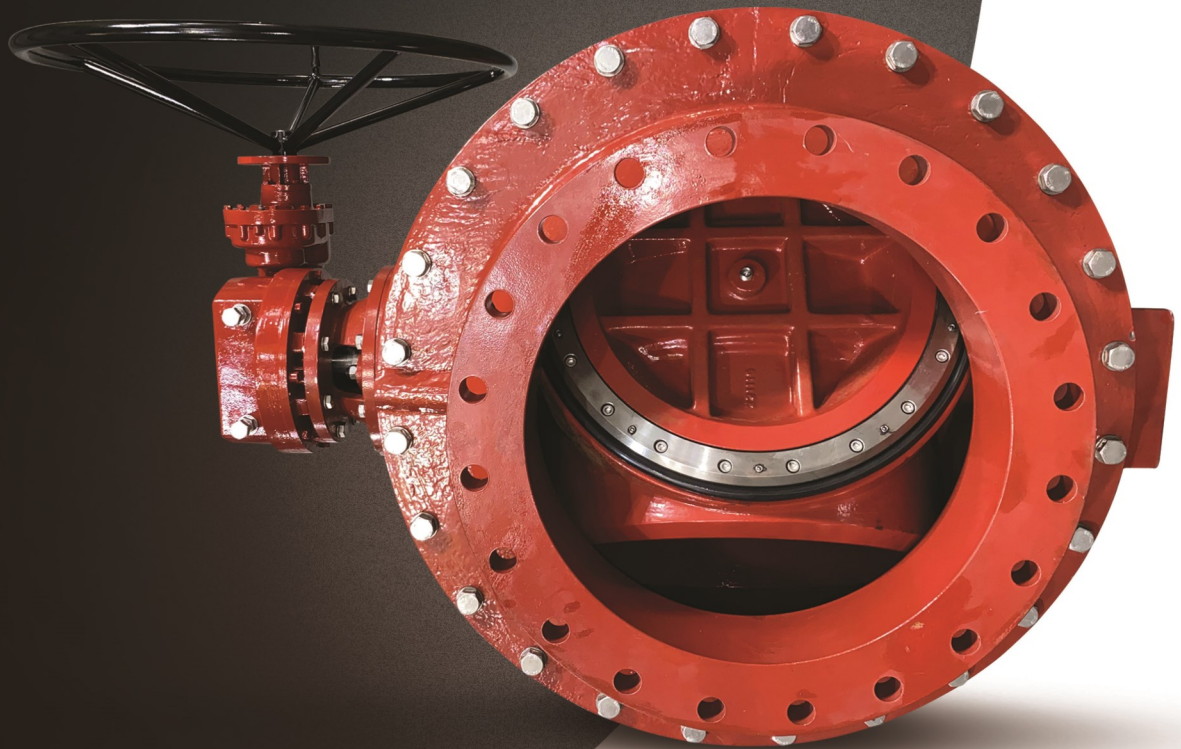


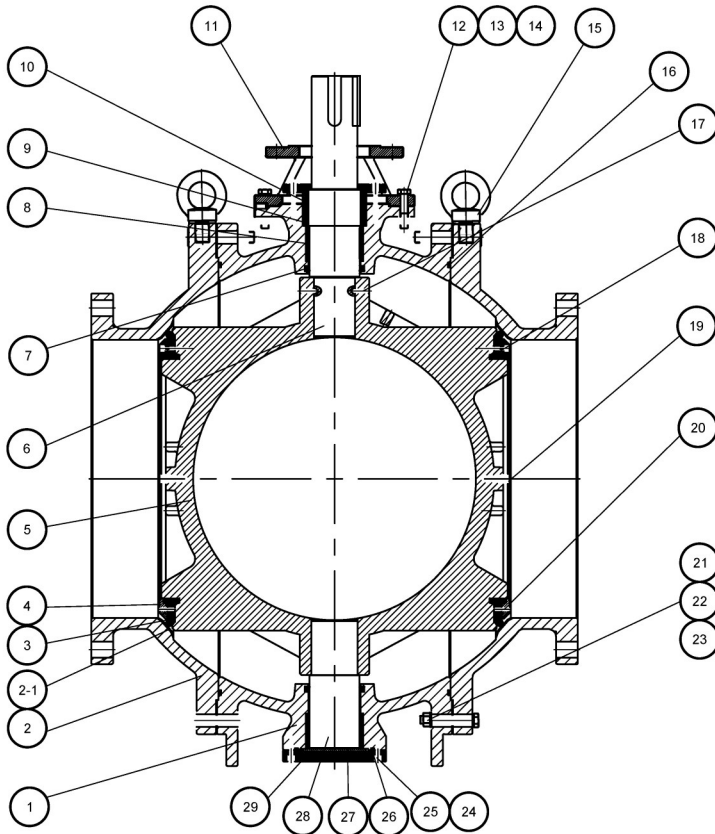
AWWA C507 RUBBER SEATED BALL VALVE

6" - 72"

The J&S Ball Valves operates equally well in both high and low velocity conditions minimizing cavitation concerns. Ideal for water and wastewater pumping service and excellent for throttling and isolation application.



SERIES 5000 RUBBER SEATED BALL VALVES



Item	Part Name	Material
1	Body	Ductile Iron, ASTM A536 65-45-12
2	Side Body	Ductile Iron, ASTM A536 65-45-12
2-1	Body Seat	Stainless Steel
3	Ball Seat	Synthetic Rubber
4	Seat Holding Plate	Stainless Steel
5	Ball	Ductile Iron, ASTM A536 65-45-12
6	Upper Stem	Stainless Steel
7	V-Ring	Rubber
8	Stem Bearing	Bronze
9	Packing	Rubber
10	Plate	Ductile Iron, ASTM A536 65-45-12
11	Bracket	Ductile Iron, ASTM A536 65-45-12
12	Bolt	Stainless Steel
13	Wahser	Stainless Steel
14	Nut	Stainless Steel
15	Eye Bolt	Carbon Steel
16	O-Ring	Rubber
17	Screw	Stainless Steel
18	Screw	Stainless Steel
19	Cap	Stainless Steel
20	Screw	Stainless Steel
21	Bolt	Stainless Steel
22	Wahser	Stainless Steel
23	Nut	Stainless Steel
24	Screw	Stainless Steel
25	Sping Wahser	Stainless Steel
26	O-Ring	Rubber
27	Plate	Brass
28	Lower Stem	Stainless Steel
29	Bottom Cover	Carbon Steel

BODY

Ductile Iron
ASTM A536 Grade 65-45-12

VALVE ROTOR

Ductile Iron
ASTM A536 Grade 65-45-12

SEATS

Body Seat: Stainless Steel
Ball Seat: Synthetic Rubber

COATING

Fusion Bonded Epoxy
NSF-61 Certified
Inside and out
per AWWA C550

FLANGE CLASS

ANSI B16.1 125 or 250

SIZE

6" through 72"



Design and Materials Subject to Change without notice. Call for Verification and Any Updated Drawings